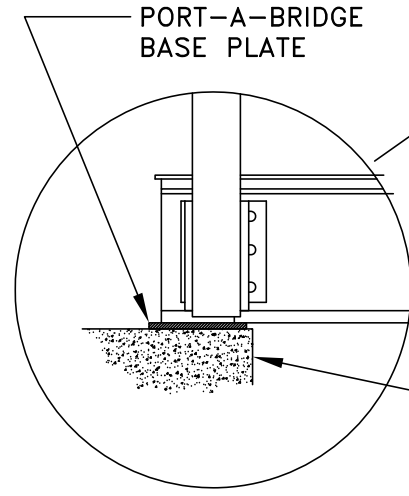
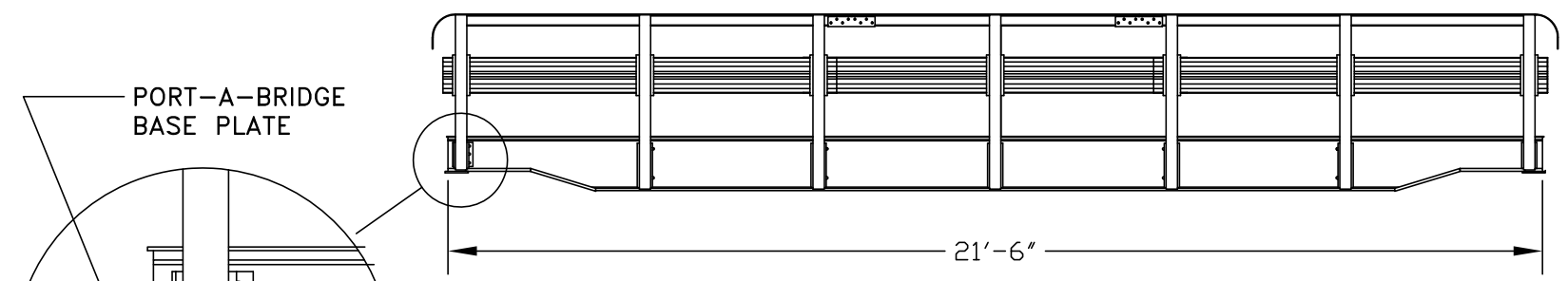
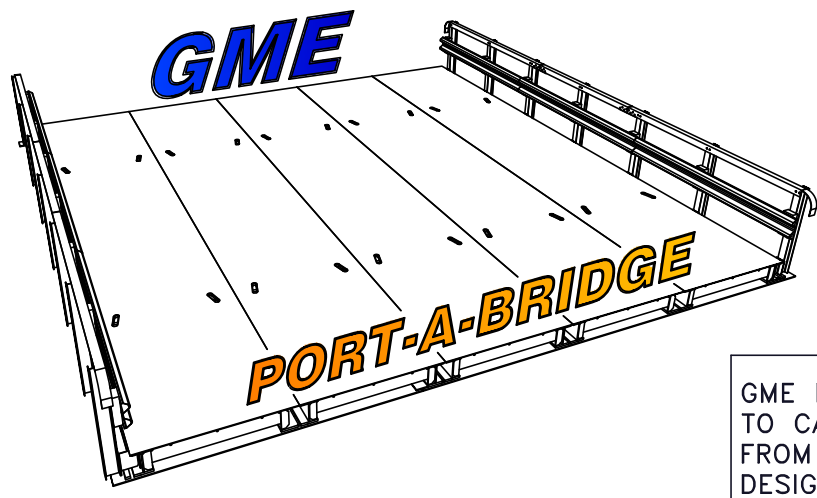


REVISIONS			
REV	DESCRIPTION	DATE	APPROVED



PORT-A-BRIDGE IS DESIGNED FOR 9" (MIN.) OF BEARING SURFACE ON EACH END OF BRIDGE.

NOTE
CONTRACTORS ARE RESPONSIBLE FOR SUPPLYING BRIDGE WITH SUFFICIENT ABUTMENTS OR SUPPORT SYSTEMS TO ENSURE CORRECT POSITIONING AND BEARING OF BRIDGE.



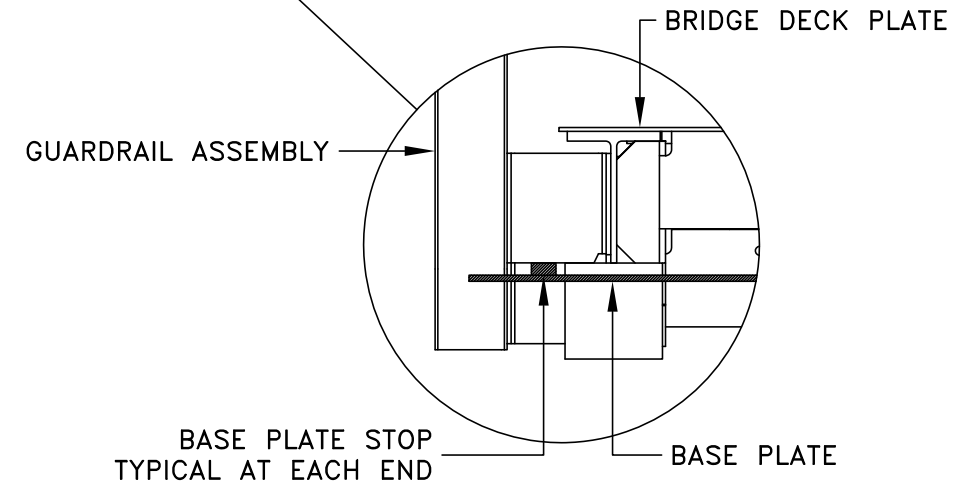
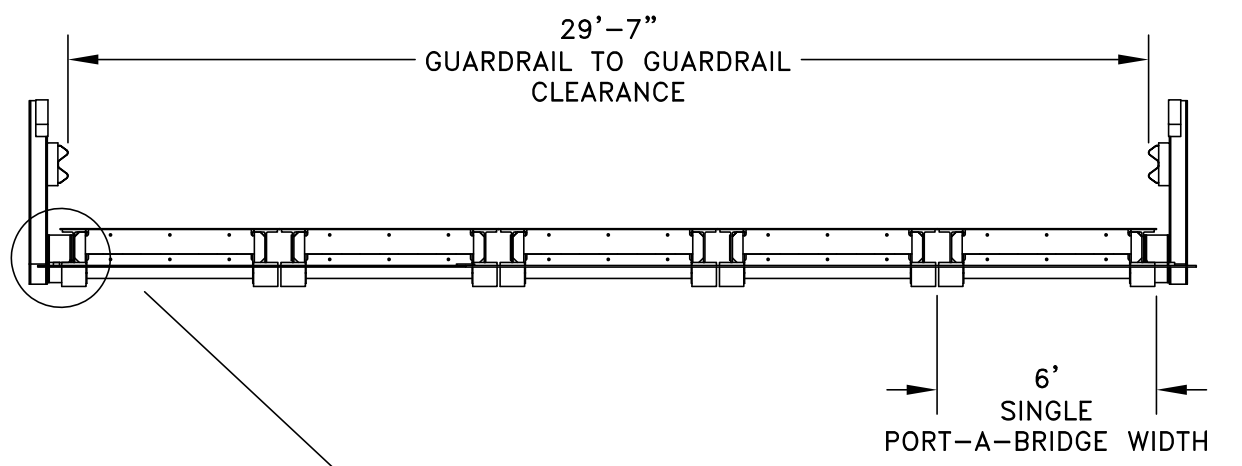
PORT-A-BRIDGE DISCLAIMER

GME IS PROVIDING A PORTABLE BRIDGE SYSTEM THAT IS A PRE-ENGINEERED TO CARRY A LOAD FOR THE FULL SPAN OF THE PORT-A-BRIDGE FROM CENTERLINE BEARING TO CENTERLINE BEARING. ALL BRIDGE UNITS ARE DESIGNED IN ACCORDANCE WITH AASHTO-US BRIDGE DESIGN CODES AND CAN SAFELY CARRY HS-25 LOADING.

CONTRACTORS SHALL BE RESPONSIBLE FOR THE FOLLOWING:

- HANDLING AND INSTALLATION OF THE PORT-A-BRIDGE.
- ABUTMENTS OR SUPPORT SYSTEMS INCLUDING ALL ANCHORS USED IN INSTALLATION OF PORT-A-BRIDGE.
- ALL JOBSITE CONDITIONS WHERE THE PORT-A-BRIDGE IS IN USE.

NO DRILLING, WELDING OR ALTERATIONS OF ANY KIND TO THE GME PORT-A-BRIDGE WITHOUT WRITTEN PERMISSION FROM GME.



PORT-A-BRIDGE BASE PLATE FEATURES

BRIDGE BASE PLATE IS EQUIPPED WITH STOPS AT EACH END TO FACILITATE ANY LATERAL MOVEMENT THE BRIDGE MAY EXPERIENCE. NOTE BRIDGE TO BE INSTALLED ON BASE PLATE AND BEARING ON THE BASE PLATE STOP ON ONE SIDE OF THE BRIDGE TYPICAL AT EACH SUPPORT SYSTEM. THE STOPS ON THE OPPOSITE END OF BASE PLATE ALLOW FOR INSTALLATION VARIANCES, THEY ARE THEN SHIMMED AS REQUIRED TO ENSURE A TIGHT FIT AMONG SECOND SET OF STOPS AND BRIDGE SYSTEM.

REV.	SIZE	PARTS LIST			
A	B	ACAD FILE: C:\PRINTS 2007\PORT-A-BRIDGE\JOBSITE REFERENCE DATA\20ft Haunched Beam Port-A-Bridge			
UNLESS OTHERWISE SPECIFIED DIMENSIONS ARE IN INCHES		DO NOT SCALE DRAWING		GRISWOLD <small>MACHINE AND ENGINEERING, INC. UNION CITY, MICHIGAN 49094</small>	
TOLERANCES		DRAWN	BPS	08/14/07	TITLE:
DECIMALS	ANGULAR	CHECK	CHECKER	DATE	20' HAUNCHED BEAM PORT-A-BRIDGE
.XX ±.010	±1°	ENG	ENGINEER	DATE	
.XXX ±.005	FRACTIONS ±1/16	PROD	PROD	DATE	
.XXXX ±.0005		QC	QC	DATE	DWG. NO.
MATERIAL	STEEL	MFG	MFG	DATE	20FT HAUNCHED PORT-A-BRIDGE
TREATMENT	TREATMENT	TOOLING	TOOLING	DATE	SCALE: 1/1
FINISH	FINISH			DEPT: PORT-A-BRIDGE	SHEET 1 OF 1